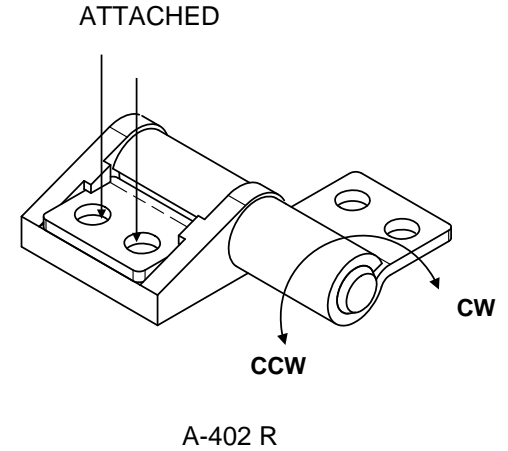
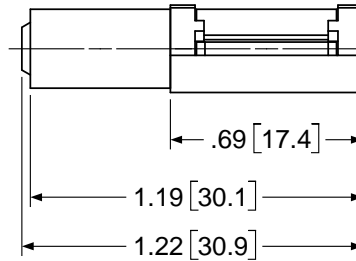
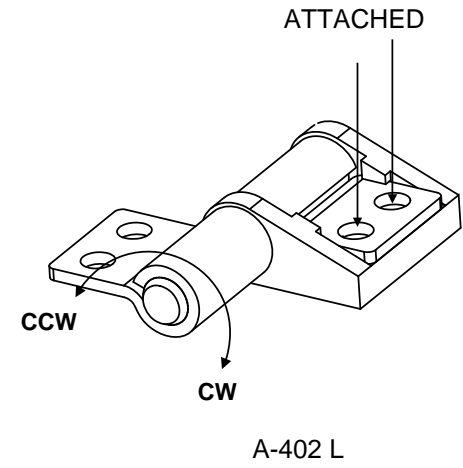
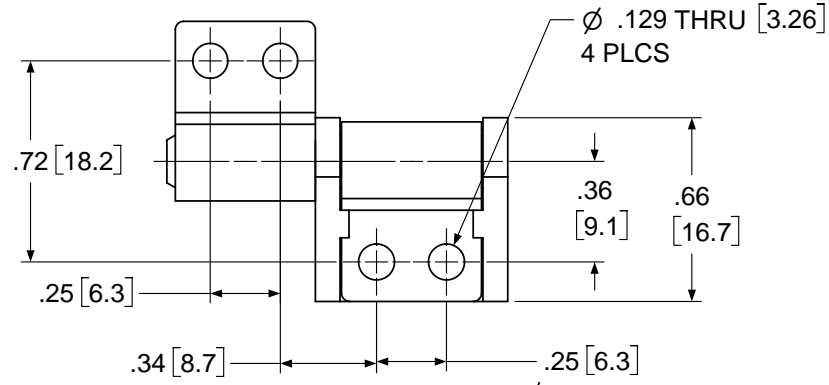
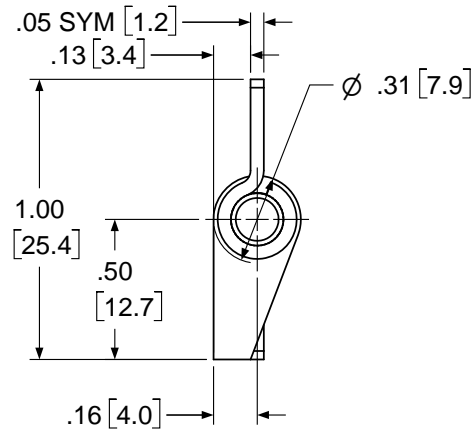


| REVISION RECORD |             |    |      |      |
|-----------------|-------------|----|------|------|
| SYM             | DESCRIPTION | BY | DATE | APPD |
|                 |             |    |      |      |



- NOTES:**
- HINGE TORQUE: UNBALANCED.
  - Torque Range:  
 Low: 5.0 - 8.0 in.lb  
 Med.: 7.0 - 10.0 in.lb  
 High: 9.0 - 12.0 in.lb

| USED ON       | SOLID | REV | TOLERANCES     |              | ENGLISH / METRIC |      | Shinelot Enterprise |              |
|---------------|-------|-----|----------------|--------------|------------------|------|---------------------|--------------|
|               |       |     | ENGLISH        | METRIC       |                  |      |                     |              |
| NEXT ASSY     |       |     | .XX ±015 in    | .X ±.3 mm    | DRAWN BY         | DATE | MATERIAL            |              |
|               |       |     | .XXX ±005 in   | .XX ±.13 mm  |                  |      | TITLE               |              |
|               |       |     | .XXXX ±0002 in | .XXX ±.05 mm | CHECKED BY       | DATE | A-402               |              |
| QUANTITY      |       |     | ANGLES ±.5°    |              |                  |      | SIZE                | REV          |
| PER ASSY, PCS | 1     |     | SURFACE 63     |              |                  |      | C                   | 0.0          |
| TOTAL, PCS    | 1     |     |                |              |                  |      | SCALE               | SHEET 1 OF 1 |